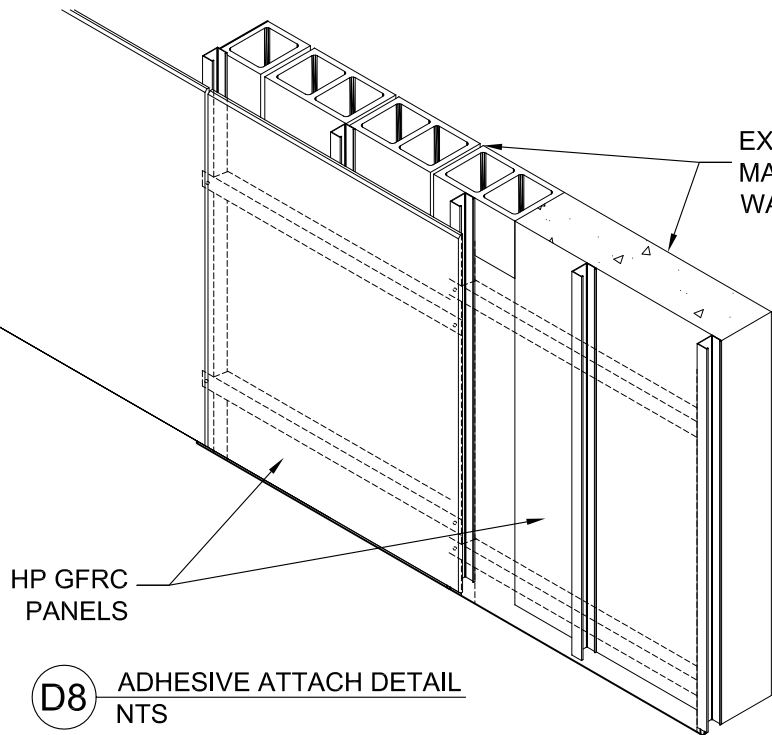


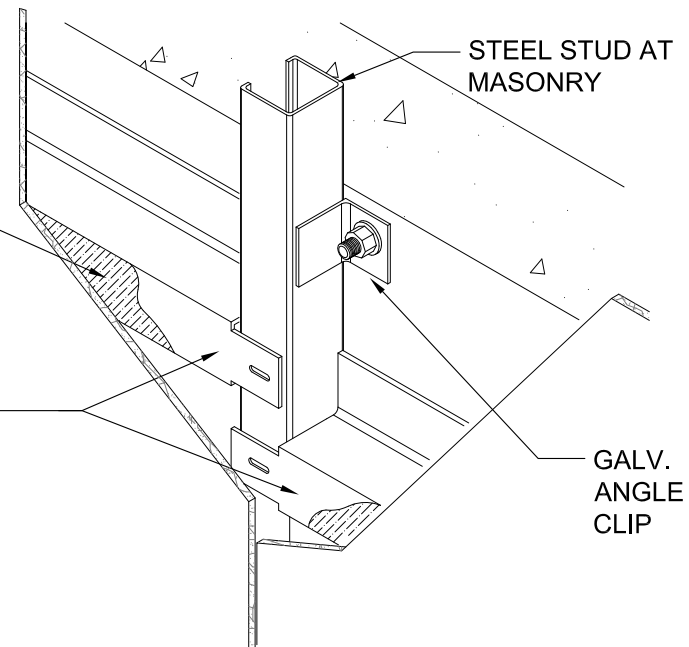
**D8** WALL SECTION DETAIL  
NTS



**D8** ADHESIVE ATTACH DETAIL  
NTS

ISOLATION STRIP BETWEEN  
ALUMINUM BACK PLATE &  
GALVANIZED CHANNEL

SET IN SHOP HORIZONTAL  
GALV. REINFORCING STEEL  
LAP END FOR ANCHORING  
SEE AGD2 AND AGD3 FOR  
ATTACH OPTIONS



ALL RIGHTS RESERVED. THIS DRAWING IS PROPERTY OF STROMBERG ARCHITECTURAL PRODUCTS INC. AND MAY BE USED ONLY WHEN UTILIZING STROMBERG ARCHITECTURAL PRODUCTS. STROMBERG ARCHITECTURAL PRODUCTS INC. GENERAL TERMS AND CONDITIONS APPLY AND ARE INCORPORATE HERE IN BY REFERENCE. THIS DETAIL MAY NOT APPLY TO ALL CONDITIONS AND CONSTRUCTION SITUATIONS.



**STROMBERG ARCHITECTURAL PRODUCTS INC.**

4400 Oneal Street, Greenville, TX 75401 Phone 903.454.0904 Fax 903.454.3642

TITLE: HP GFRc

SCALE: AS NOTED

TYPE DWG: FURRING OVER MASONRY

DWG. SHEET: **AGD8**